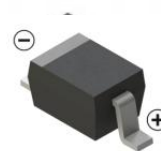


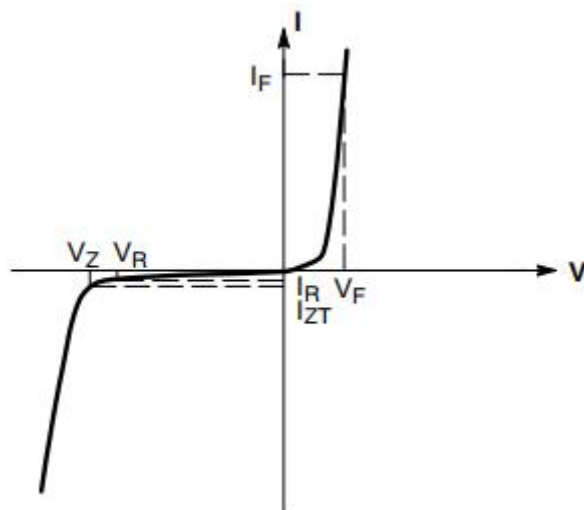
SOD-323 Surface Mounted Zener Diode 表面贴装稳压二极管



SOD-323

■ Absolute Maximum Ratings 最大额定值

Characteristic 特性参数	Symbol 符号	Rat 额定值	Unit 单位
Power dissipation 耗散功率	$P_D$ ( $T_a=25^\circ\text{C}$ )	250	mW
Thermal Resistance Junction-Ambient 热阻	$R_{\theta JA}$	500	$^\circ\text{C}/\text{W}$
Forward Voltage 正向电压	$V_F$ (@ $I_F=10\text{mA}$ )	0.9	V
Reverse Voltage 反向电压	$V_Z$	2-75	V
Junction and Storage Temperature 结温和储藏温度	$T_J, T_{stg}$	150 $^\circ\text{C}$ , -65to+150 $^\circ\text{C}$	



■ Electrical Characteristics 电特性

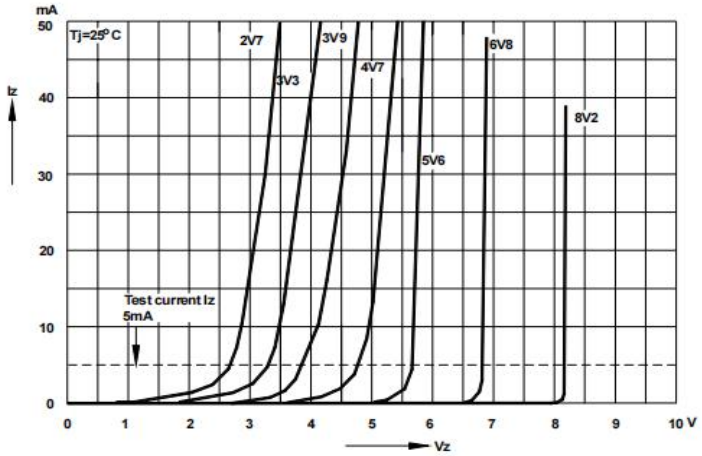
( $T_A=25^\circ\text{C}$  unless otherwise noted 如无特殊说明, 温度为 25 $^\circ\text{C}$ )

BZT52C2V0S-BZT52C75S

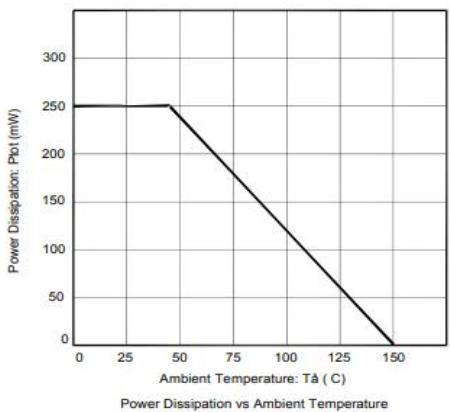
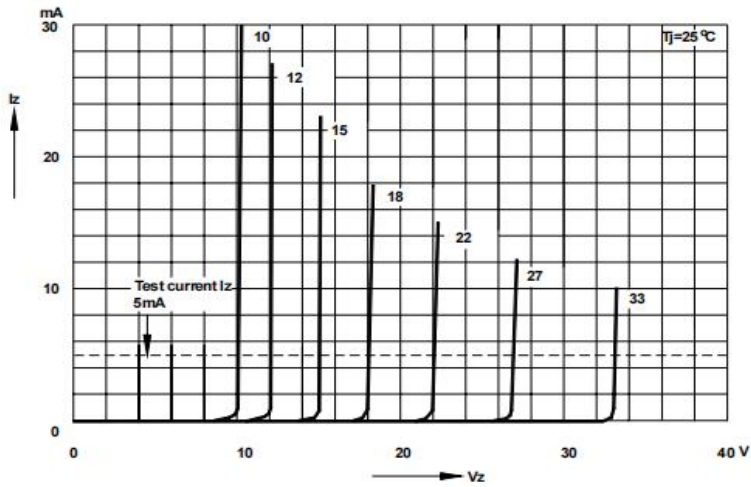
Type	V <sub>Z</sub> (V)		DIFFERENTIAL RESISTANCE r <sub>diff</sub> (Ω)				TEMP. COEFF. S <sub>Z</sub> (mV/K)			I <sub>R</sub> (uA)		Marking
	@I <sub>ZT</sub> =5mA		@I <sub>ZK</sub> =1mA		@I <sub>ZT</sub> =5mA		@I <sub>ZT</sub> =5mA			@V <sub>R</sub> (V)		
	MIN.	MAX.	TYP.	MAX.	TYP.	MAX.	MIN.	TYP.	MAX.	I <sub>R</sub>	@V <sub>R</sub>	
BZT52C2V0S	1.91	2.09	325	600	80	100	-3.5	-2.1	0	150	1	WY
BZT52C2V4S	2.2	2.6	325	600	80	100	-3.5	-2.1	0	50	1	WX
BZT52C2V7S	2.5	2.9	325	600	80	100	-3.5	-2.1	0	20	1	W1
BZT52C3V0S	2.8	3.2	325	600	80	95	-3.5	-2.1	0	10	1	W2
BZT52C3V3S	3.1	3.5	350	600	85	95	-3.5	-2.4	0	5	1	W3
BZT52C3V6S	3.4	3.8	375	600	85	90	-3.5	-2.4	0	5	1	W4
BZT52C3V9S	3.7	4.1	400	600	85	90	-3.5	-2.5	0	3	1	W5
BZT52C4V3S	4.0	4.6	400	600	85	90	-3.5	-2.5	0	3	1	W6
BZT52C4V7S	4.4	5.0	410	600	80	90	-3.5	-2.5	0	3	2	W7
BZT52C5V1S	4.8	5.4	425	500	50	80	-3.5	-1.4	0.2	2	2	W8
BZT52C5V6S	5.2	6.0	400	480	40	60	-2.7	-0.8	1.2	1	2	W9
BZT52C6V2S	5.8	6.6	80	400	15	40	-2.0	1.2	2.5	3	4	WA
BZT52C6V8S	6.4	7.2	40	150	6	10	0.4	2.3	3.7	2	4	WB
BZT52C7V5S	7.0	7.9	30	80	6	15	1.2	3.0	4.5	1	5	WC
BZT52C8V2S	7.7	8.7	30	80	6	15	2.5	4.0	5.3	0.7	5	WD
BZT52C9V1S	8.5	9.6	40	80	6	15	3.2	4.6	6.2	0.5	6	WE
BZT52C10S	9.4	10.6	40	100	6	15	3.8	5.5	7.0	0.2	7	WF
BZT52C11S	10.4	11.6	50	150	8	20	4.5	6.4	8.0	0.1	8	WG
BZT52C12S	11.4	12.7	50	150	10	20	5.4	7.4	9.0	0.1	8	WH
BZT52C13S	12.4	14.1	50	150	10	25	6.0	8.4	10.0	0.1	8	WI
BZT52C15S	13.8	15.6	50	170	10	30	7.0	9.4	11.0	0.05	10.5	WJ
BZT52C16S	15.3	17.1	50	200	10	30	9.2	11.4	13.0	0.05	11.2	WK
BZT52C18S	16.8	19.1	50	200	10	40	10.4	12.4	14.0	0.05	12.6	WL
BZT52C20S	18.8	21.2	50	225	10	45	12.4	14.4	16.0	0.05	14	WM
BZT52C22S	20.8	23.3	60	225	15	55	14.4	16.4	18.0	0.05	15.4	WN
BZT52C24S	22.8	25.6	60	250	20	55	16.4	18.4	20.0	0.05	16.8	WO
BZT52C27S	25.1	28.9	65	300	25	80	21.4	23.4	25.3	0.05	18.9	WP
BZT52C30S	28.0	32.0	70	300	30	80	24.4	26.6	29.4	0.05	21	WQ
BZT52C33S	31.0	35.0	75	325	35	80	27.4	29.7	33.4	0.05	23.1	WR
BZT52C36S	34.0	38.0	80	350	35	90	30.4	33.0	37.4	0.05	25.2	WS
BZT52C39S	37.0	41.0	80	350	40	130	33.4	36.4	41.2	0.05	27.3	WT
BZT52C43S	40.0	46.0	85	375	45	150	37.6	41.2	46.6	0.05	30.1	6A
BZT52C47S	44.0	50.0	85	375	50	170	42.0	46.1	51.8	0.05	32.9	6B
BZT52C51S	48.0	54.0	95	400	60	180	46.6	51.3	57.2	0.05	35.7	6C
BZT52C56S	52.0	60.0	110	425	75	200	52.2	58.4	63.8	0.05	39.2	6D
BZT52C62S	58.0	66.0	130	450	90	215	58.8	63.9	71.6	0.05	43.4	6E
BZT52C68S	64.0	72.0	160	475	110	240	65.6	72.2	79.8	0.05	47.6	6F
BZT52C75S	70.0	79.0	200	500	150	255	73.4	81.1	88.6	0.05	52.5	6H

■ Typical Characteristic Curve 典型特性曲线

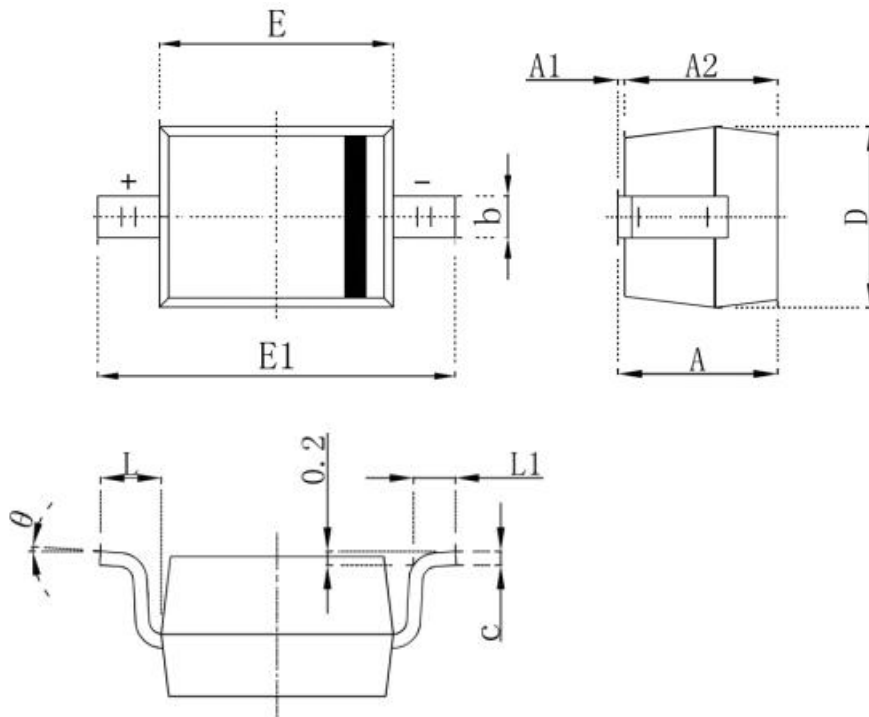
Breakdown characteristics  
Tj = constant (pulsed)



Breakdown characteristics  
Tj = constant (pulsed)



■Dimension 外形封装尺寸



Symbol	Dimensions In Millimeters		Dimensions In Inches	
	Min.	Max.	Min.	Max.
A		1.000		0.039
A1	0.000	0.100	0.000	0.004
A2	0.800	0.900	0.031	0.035
b	0.250	0.350	0.010	0.014
c	0.080	0.150	0.003	0.006
D	1.200	1.400	0.047	0.055
E	1.600	1.800	0.063	0.071
E1	2.250	2.750	0.100	0.108
L	0.475 REF		0.019 REF	
L1	0.250	0.400	0.010	0.016
θ	0°	8°	0°	8°